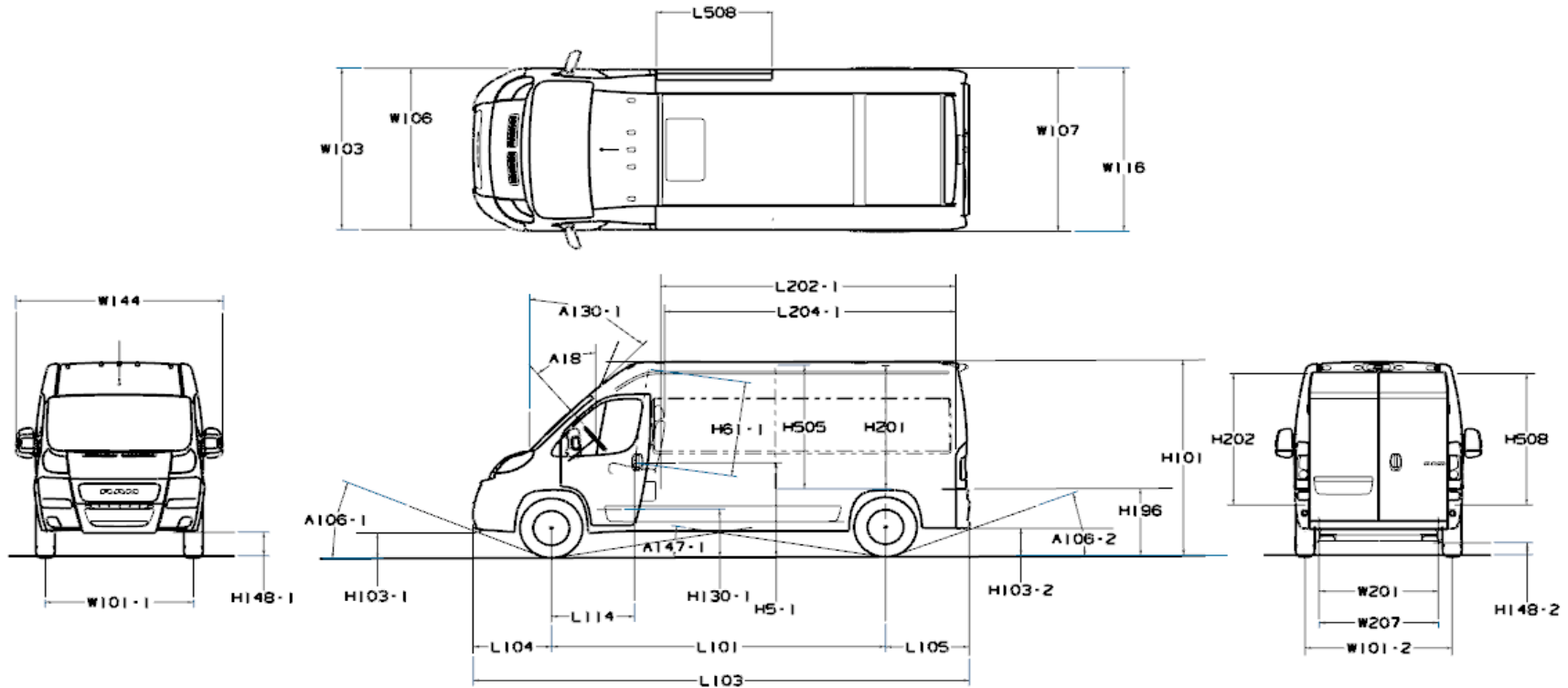


CARGO VAN

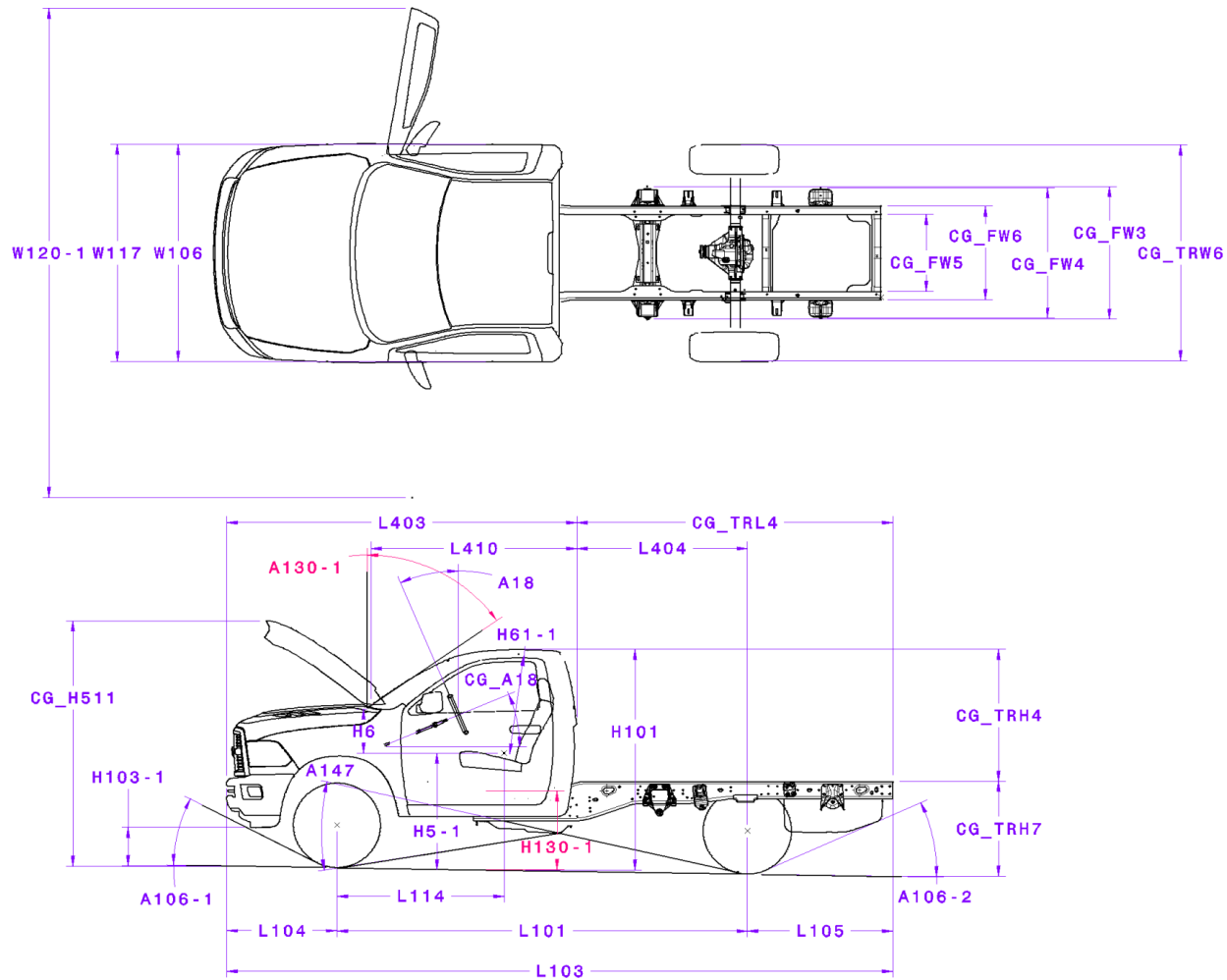


ProMaster Views & Charts

CARGO VAN

SAE J1100 Code	SAE J100 Description	L1H1		L2H1		L2H2		L4H2		L5H2		
		VF1L11		VF1L12		VF1L13 / VF2L13		VF2L16 / VF2L26 / VF3L16		VF3L17 / VF3L27		
		118" wheelbase / low-roof		136" wheelbase / low-roof		136" wheelbase / high-roof		159" wheelbase / high-roof		159" wheelbase / high-roof / extended body		
	Brochure Description	(mm)	(in)	(mm)	(in)	(mm)	(in)	(mm)	(in)	(mm)	(in)	
H101	Vehicle Height - Max	Overall Height	2329	91.7	2362	93.0	2632	103.6	2592	102.1	2603	102.5
H202	Rear Opening Height	Rear Cargo Doors Opening Height	1520	59.8	1520	59.8	1790	70.5	1790	70.5	1790	70.5
H505	Maximum Cargo Height	Cargo Height	1698	66.9	1698	66.9	1959	77.1	1959	77.1	1959	77.1
H508	Side Cargo Door Opening Height	Side Sliding Doors Opening Height	1485	58.5	1485	58.5	1755	69.1	1755	69.1	1755	69.1
L101	Wheelbase	Wheelbase	3000	118.1	3454	136.0	3454	136.0	4039	159.0	4039	159.0
L103	Vehicle Length	Overall Body Length	4963	195.4	5415	213.2	5415	213.2	6000	236.2	6364	250.6
L104	Overhang - Front		955	37.6	955	37.6	955	37.6	955	37.6	955	37.6
L105	Overhang - Rear		1018	40.1	1006	39.6	1006	39.6	1006	39.6	1370	53.9
L507	Cargo Body Overall Length		2709	106.7	3120	122.8	3120	122.8	3708	146.0	4070	160.2
L508	Minimum Loading Length(width) of Side Cargo Door	Side Sliding Doors Opening Width	1075	42.3	1250	49.2	1250	49.2	1250	49.2	1250	49.2
W101-1	Tread Width - Front Tires		1810	71.3	1810	71.3	1810	71.3	1810	71.3	1810	71.3
W101-2	Tread Width - Rear Tires		1790	70.5	1790	70.5	1790	70.5	1790	70.5	1790	70.5
W103	Vehicle Width, Maximum		2066	81.3	2066	81.3	2066	81.3	2066	81.3	2066	81.3
W144	Vehicle Width, Short-arm mirror Included	Overall Width With Mirrors	2480	97.6	2480	97.6	2480	97.6	2480	97.6	2480	97.6
W144	Vehicle Width, Extra long-arm mirror Included	Overall Width With Mirrors	2849	112.2	2849	112.2	2849	112.2	2849	112.2	2849	112.2
W201	Wheelhouse Width - at Floor	Width Between Wheel Wells	1422	56.0	1422	56.0	1422	56.0	1422	56.0	1422	56.0
W500	Cargo Width at Floor		1920	75.6	1920	75.6	1920	75.6	1920	75.6	1920	75.6
A106-2	Angle of Departure		29.0	1.1	31.2	A	31.2	NA	29.5	NA	29.5	NA
H201	Cargo Height		1685	66.3	1685	66.3	1959	77.1	1959	77.1	1959	77.1
H61-1	Effective Head Room - Front without Shelf	1st Row Head Room	1091	43.0	1091	43.0	1091	43.0	1091	43.0	1091	43.0
A147	Ramp Breakover Angle		23.4	0.9	21.8	NA	21.8	NA	18.0	NA	18.0	NA
CG TT18	Turn Circle Diameter	Curb to Curb (Meters & Ft)	11.06	36.3	12.41	40.7	12.41	40.7	14.26	46.8	14.26	46.8
L202-1	Cargo length at Floor - Behind Front Row		2619	103.1	3062	120.6	3062	120.6	3733	147.0	4097	161.3
L204-1	Cargo Length at Beltline - Behind Front Row		2494	98.2	2939	115.7	2939	115.7	3522	138.7	3889	153.1
V6	Enclosed Truck and MPV CVI - Max Behind Front Seat	Cargo Volume Behind 1st Row Seat	259.2 cu.ft.		303.7 cu.ft.		352.9 cu.ft.		420.2 cu.ft.		462.9 cu.ft.	
A106-1	Angle of Approach		19.3		18.3		18.3	NA	19.9	NA	19.9	NA
A130-1	Window Slope Angle - Windshield		43.7		43.7		43.7	NA	43.7	NA	43.7	NA
A18	Steering Wheel Angle		41.0		41.0		41.0	NA	41.0	NA	41.0	NA
H103-1	Fascia(Bumper) to Ground - Front		276	10.9	260	10.2	260	10.2	260	10.2	260	10.2
H103-2	Fascia(Bumper) to Ground - Rear		467	18.4	497	19.6	497	19.6	497	19.6	497	19.6
H108-1	Static Load Radius - Front Tire		352	13.9	351	13.8	351	13.8	351	13.8	351	13.8
H108-2	Static Load Radius - Rear Tire		361	14.2	369	14.5	369	14.5	369	14.5	369	14.5
H130-1	Step Height - Front		489	19.3	479	18.9	479	18.9	479	18.9	479	18.9
H130-2	Step Height - Second	Side Door Step-In Height	542	21.3	537	21.1	537	21.1	537	21.1	537	21.1
H148-1	Suspension or Axle to Ground - Front		237	9.3	217	8.5	217	8.5	217	8.5	217	8.5
H148-2	Suspension or Axle to Ground - Rear		257	10.1	275	10.8	275	10.8	275	10.8	275	10.8
H196	Lift In Height	Rear Step-In Height	0	0.0	0	0.0	0	0.0	0	0.0	0	0.0
H5-1	SgRP to Ground - Front		1198	47.2	1189	46.8	1189	46.8	1189	46.8	1189	46.8
H61-1	Effective Head Room - Front with Shelf	1st Row Head Room	1091	43.0	1091	43.0	1091	43.0	1091	43.0	1091	43.0
L114	Front Wheel Centerline to SgRP - Front		1004	39.5	1004	39.5	1004	39.5	1004	39.5	1004	39.5
L34	Effective Leg Room - Accelerator	1st Row Leg Room	988	38.9	988	38.9	988	38.9	988	38.9	988	38.9
W106	Fender Width - Front		2064	81.3	2064	81.3	2064	81.3	2064	81.3	2064	81.3
W107	Fender Width - Rear		2037	80.2	2037	80.2	2037	80.2	2037	80.2	2037	80.2
W116	Body Width		2039	80.3	2039	80.3	2039	80.3	2039	80.3	2039	80.3
W200	Compartment Width, Maximum	Maximum Cargo Width	1714	67.5	1714	67.5	1714	67.5	1714	67.5	1714	67.5
W207	Rear Opening Width - Lower		1610	63.4	1610	63.4	1610	63.4	1610	63.4	1610	63.4
W3-1	Shoulder Room - Front	1st Row Shoulder Room	1901	74.8	1901	74.8	1901	74.8	1901	74.8	1901	74.8
W5-1	Hip Room - Front	1st Row Hip Room	1675	65.9	1675	65.9	1675	65.9	1675	65.9	1675	65.9
H-156	Running Ground Clearance	Ground Clearance	196	7.7	196	7.7	196	7.7	1675	65.9	1675	65.9

CHASSIS CAB / CUT AWAY



ProMaster Views & Charts

CHASSIS CAB / CUT AWAY

Code	Description	136" Wheel Base Chassis Cab (L2H1)		159" Wheel Base Chassis Cab (L4H1)		159" Wheel Base ext Chassis Cab (L5H1)	
		Length		Length		Length	
		Metric	English	Metric	English	Metric	English
CG_TRL4	Back of cab to taillamp	3036.0	119.5	3618.7	142.5	3972.5	156.4
L103	Vehicle Length	5415.0	213.2	6000.0	236.2	6364.0	250.6
L403	Front Bumper to back of cab (BBC)	2324.6	91.5	2324.6	91.5	2324.6	91.5
L410	Cab Length	1683.7	66.3	1683.7	66.3	1683.7	66.3
A18	Steering Wheel Angle	41.0	41.0	41.0	41.0	41.0	41.0
A130-1	Glazing Angle - Windscreen	43.7	43.7	43.7	43.7	43.7	43.7
CG_A18	Steering Column Angle	41.0	41.0	41.0	41.0	41.0	41.0
CG_TRH4	Top of Frame to top of cab	1426.6	56.2	1446.1	56.9	1446.1	56.9
H6	SGRP - Front to Windshield Lower DLO	158.8	6.3	158.8	6.3	158.8	6.3
H61-1	Effective Head Room - Front	1091.0	43.0	1091.0	43.0	1091.0	43.0
CG_FW3	Rear Suspension Front Spring Bolt	1321.6	52.0	1380.0	54.3	1380.0	54.3
CG_FW4	Rear Suspension Rear Spring Bolt	1349.0	53.1	1386.6	54.6	1386.6	54.6
CG_FW5	Rear Frame - Inside width	1122.1	44.2	1122.1	44.2	1122.1	44.2
CG_FW6	Rear Frame - Outside Width	1377.2	54.2	1377.2	54.2	1377.2	54.2
CG_TRW6	Outside of rear Tires	1952.0	76.9	1951.0	76.8	1951.0	76.8
W144	Vehicle width - mirrors included (Std)	2480.0	97.6	2480.0	97.6	2480.0	97.6
W144B	Vehicle width - mirrors included (Trailer)	2849.0	112.2	2849.0	112.2	2849.0	112.2
W106	Fender width - Front	2064.0	81.3	2064.0	81.3	2064.0	81.3
W117	Body width at SGRP - Front	2050.0	80.7	2050.0	80.7	2050.0	80.7
W120-1	Vehicle width, doors Open - Front	3947.0	155.4	3947.0	155.4	3947.0	155.4
A106-1	Angle Of Approach	18.3	18.3	19.9	19.9	19.9	19.9
A106-2	Angle Of Departure	31.2	31.2	29.5	29.5	29.5	29.5
A147	Ramp Breakover Angle	21.8	21.8	18.0	18.0	18.0	18.0
CG_H511	Bottom Of Open Hood to Ground	NA	NA	NA	NA	NA	NA
CG_TTH7	Top Of Frame (at rear) to Ground	799.7	31.5	770.2	30.3	770.2	30.3
CG_TT18	Turn Circle Diameter (Meters/Feet)*	11.06	36.3	12.41	40.7	14.26	46.8
H5-1	SgRP to Ground -Front	1189.0	46.8	1189.0	46.8	1189.0	46.8
H101	Vehicle Height (CurbLoad)	2226.4	87.7	2217.4	87.3	2217.4	87.3
H103-1	Fascia (Bumper) to Ground -Front	260.0	10.2	260.0	10.2	260.0	10.2
H108-1	Static Load Radius-Front Tire*	351.0	13.8	351.0	13.8	351.0	13.8
H108-2	Static Load Radius -Rear Tire*	369.0	14.5	369.0	14.5	369.0	14.5
H130-1	Step Height-Front	479.0	18.9	479.0	18.9	479.0	18.9
H148-1	Suspension or Axle to Ground-Front	217.0	8.5	217.0	8.5	217.0	8.5
H148-2	Suspension or Axle to Ground-Rear	275.0	10.8	275.0	10.8	275.0	10.8
L101	Wheel Base	3454.0	136.0	4039.0	159.0	4039.0	159.0
L104	Overhand-Front	955.0	37.6	955.0	37.6	955.0	37.6
L105	Overhand-Rear	1006.0	39.6	1006.0	39.6	1006.0	39.6
L114	Front wheel centerline to SgRP-Front	1004.0	39.5	1004.0	39.5	1004.0	39.5
L404	Cab to rear Axle (CA)	2092.4	82.4	2659.3	104.7	2659.3	104.7
W101-1	Tread Width - front Tires	1810.0	71.3	1810.0	71.3	1810.0	71.3
W101-2	Tread Width - Rear Tires	1870.0	73.6	1870.0	73.6	1870.0	73.6

ProMaster Views & Charts