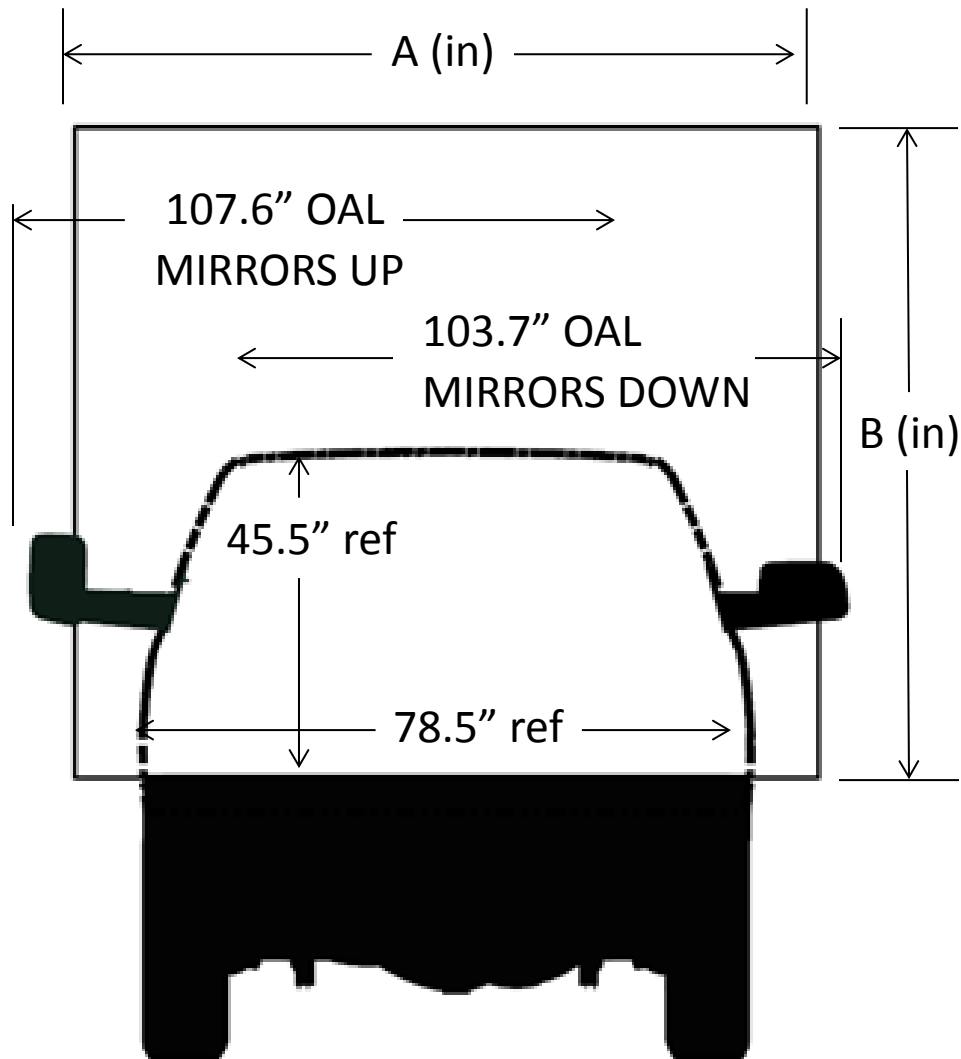

Ram 3500 Chassis Cab Frontal Surface Area Calculation

The total front surface area of the vehicle as up fit cannot exceed the value specified on the Vehicle Emissions Certification Information (VECI) label located under hood. We have determined the frontal area of the vehicle below the top of the frame rail.* To calculate the total surface area, determine the surface area of your up fit by multiplying dimension A in inches and dimension B in inches. (See attached diagrams) Convert to square feet by dividing that number by 144. Then, add that number to the frontal area below the frame of your vehicle as specified on the attached pages. This will be the total surface area of the up fit and should not exceed the value stated on the VECI label.

***Note:** Per Federal Regulation 40 CFR 86.1803-01 **Basic vehicle frontal area** means the area enclosed by the geometric projection of the basic vehicle along the longitudinal axis, which includes tires but excludes mirrors and air deflectors, onto a plane perpendicular to the longitudinal axis of the vehicle. Mirror dimensions are included in this BBG section for reference only.

DF 3500 (10K Max GVWR) and DD 3500 (11K Max GVWR) SRW



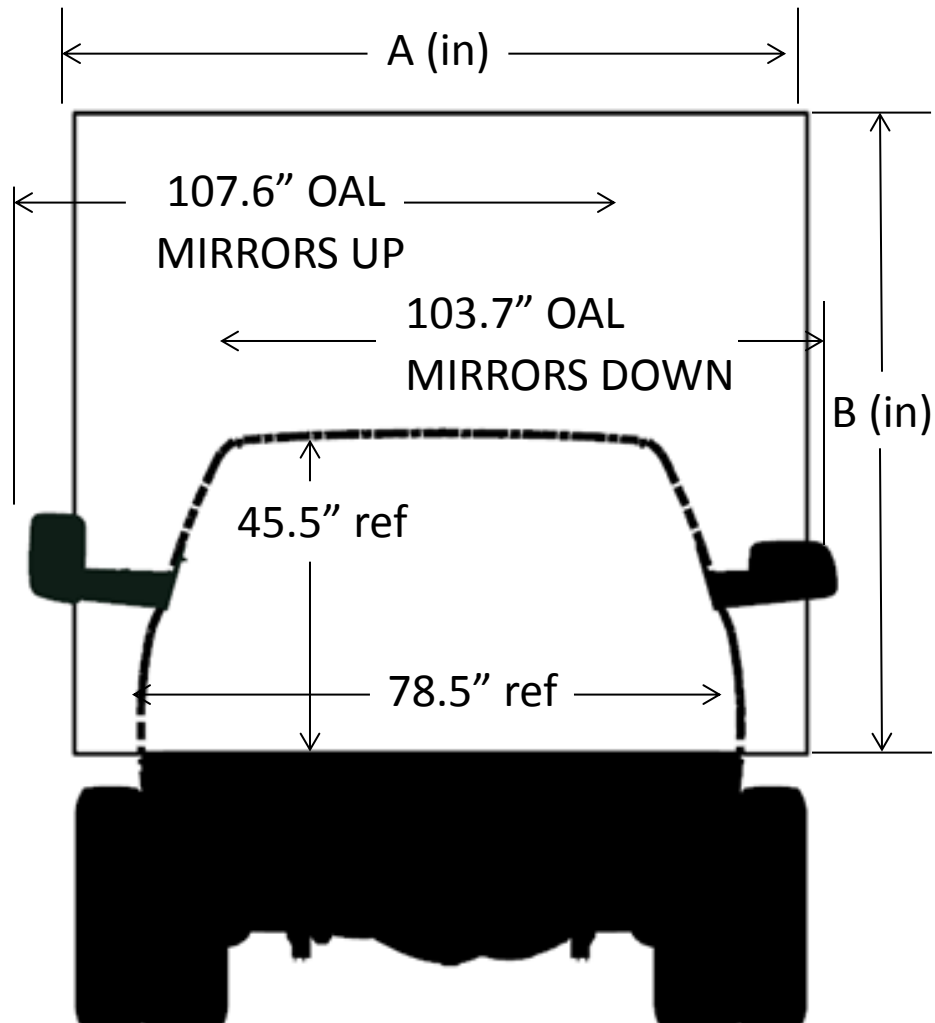
Below Frame Area = 17.37 Sq Ft
 Mirror Area Up Position = 1.95 Sq Ft
 Mirror Area Down Position = 1.63 Sq Ft

$$(A_{(in)} \times B_{(in)}) / 144 + 17.37 = \text{Total Frontal Area}$$

***Note:** Mirror dimensions are included for reference only and are NOT required to be included in the Frontal Area calculation

Ram 3500 Chassis Cab Frontal Surface Area Calculation

DD 3500 (14K Max GVWR) DRW



Below Frame Area=19.37 Sq Ft
 Mirror Area Up Position= 1.95 Sq Ft
 Mirror Area Down Position= 1.63 Sq Ft

$$(A_{(in)} \times B_{(in)}) / 144 + 19.37 = \text{Total Frontal Area}$$

***Note:** Mirror dimensions are included for reference only and are NOT required to be included in the Frontal Area calculation

Ram 3500 Chassis Cab Frontal Surface Area Calculation