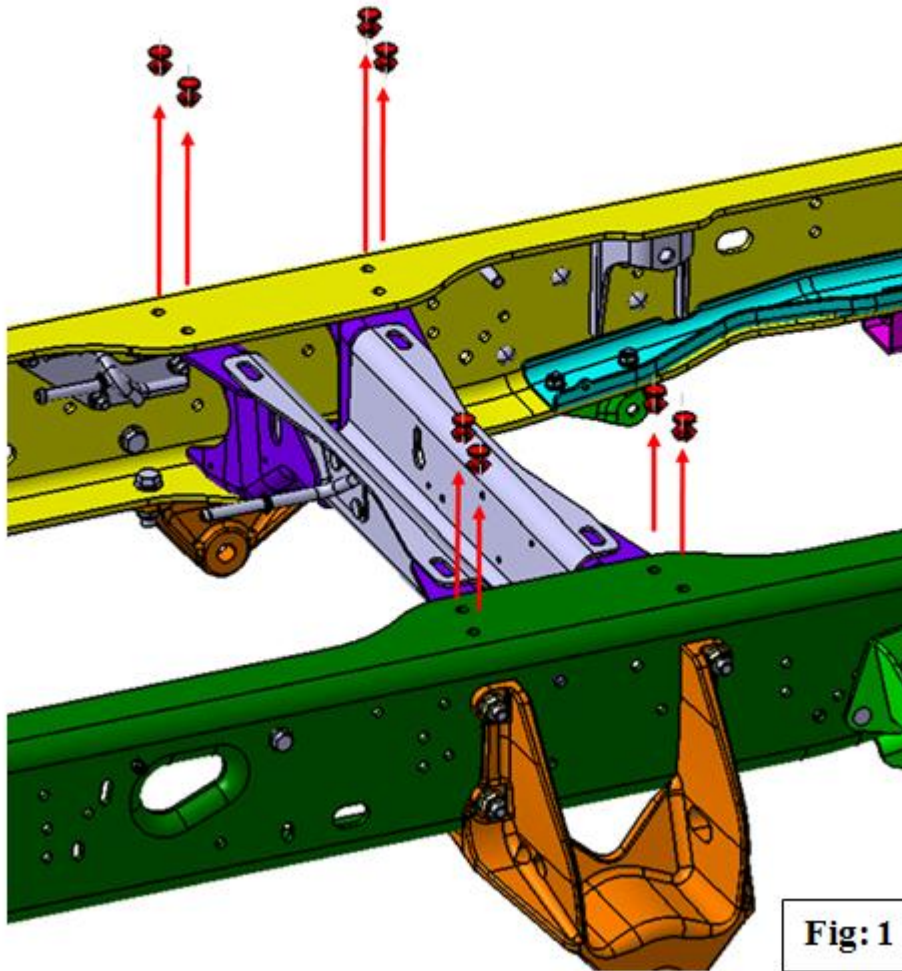


Chassis Cab Rollback Carrier Reinforcement Instructions

Rollback Carrier Rear Rail Reinforcements Installation

1. Remove M12 rivets from LH and RH side of the frame, which attaches side rail top flange to rear spring front hanger bracket cross member (Fig:1)



Chassis Cab Rollback Carrier Reinforcement Instructions

Rollback Carrier Rear Rail Reinforcements Installation

2. Remove side rail cross member rivets M12 rivets and bolts from LH and RH sides of the frame, which attaches the rear fuel tank front cross member to side rail (Fig: 2). Retain bolts to be re-secure rear aux bracket to frame rail.

RH side only

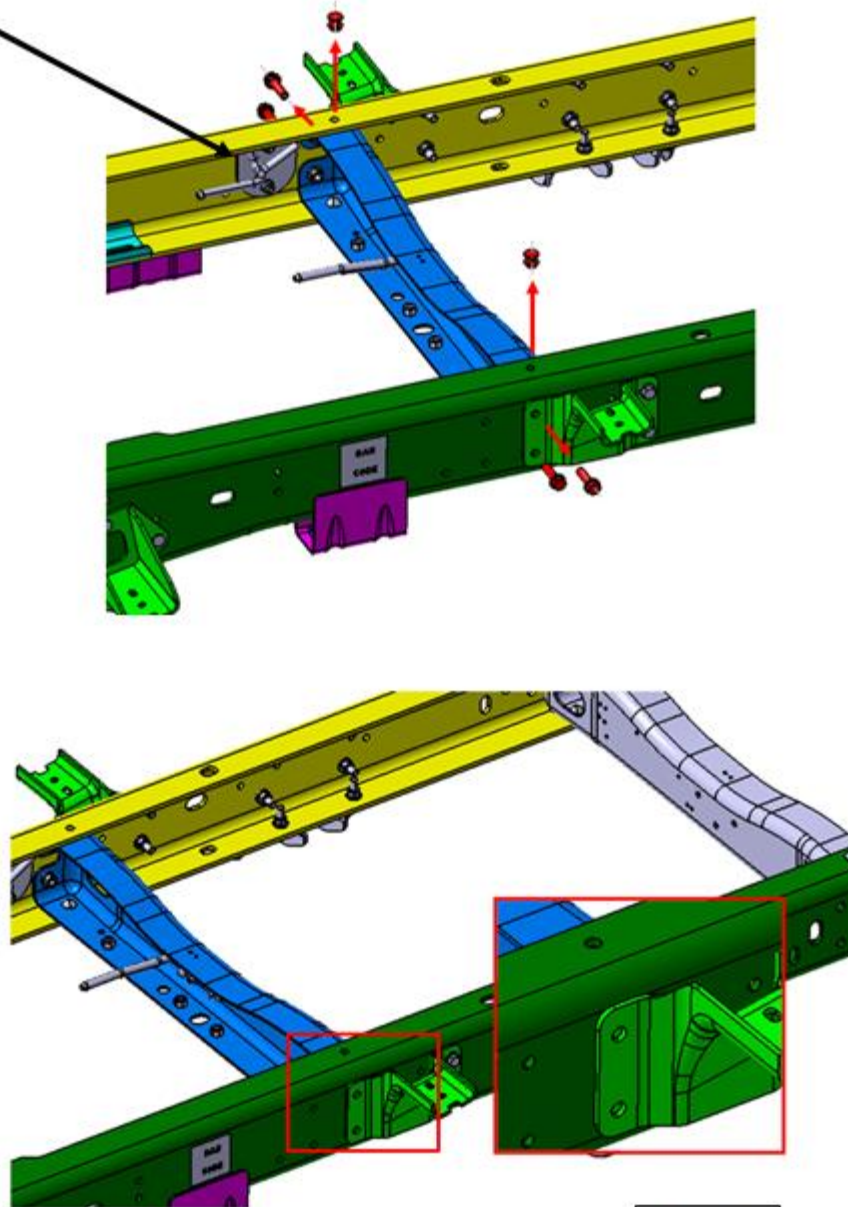
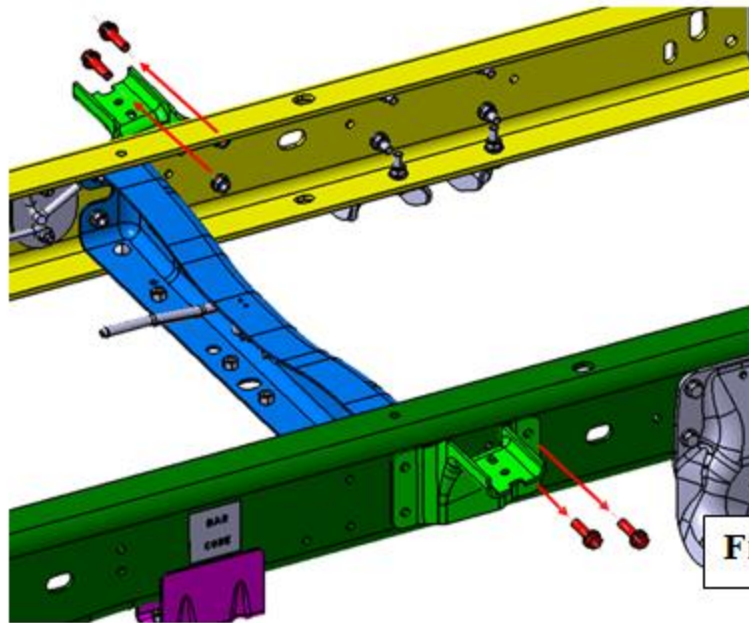


Fig: 2

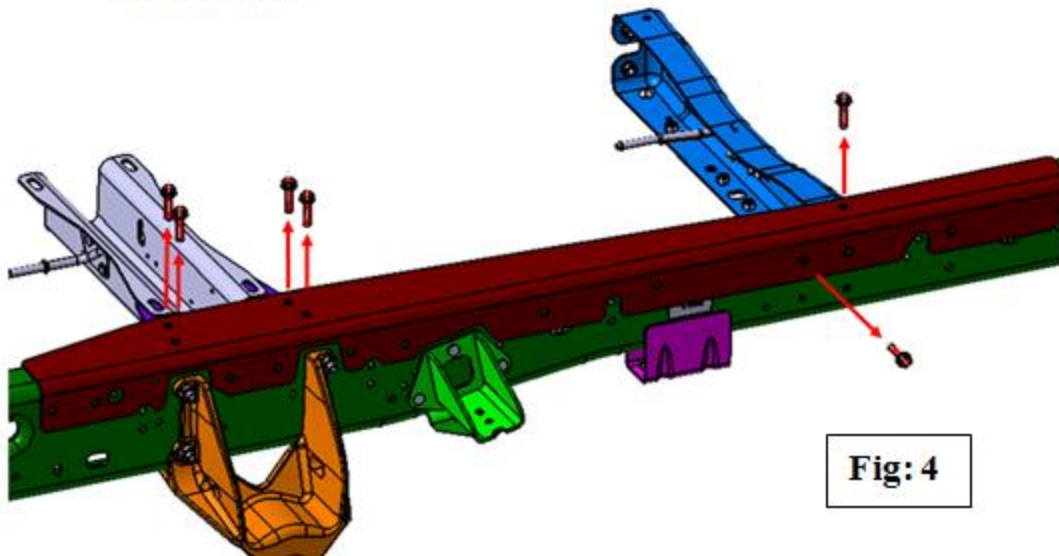
Chassis Cab Rollback Carrier Reinforcement Instructions

Rollback Carrier Rear Rail Reinforcements Installation

3. Remove the rear auxiliary spring brackets by removing M12 fasteners. Retain these parts to re-install bracket. Fig 3.



4. Align the rollback reinforcement holes with already existing holes on the top flange of frame rail shown in the fig. 4 and install M12 bolts and nuts. Snug the bolts but do not tighten them. The 13mm side web holes need to be drilled to through the truck frame rail using the reinforcement as a template using a 13mm drill bit.

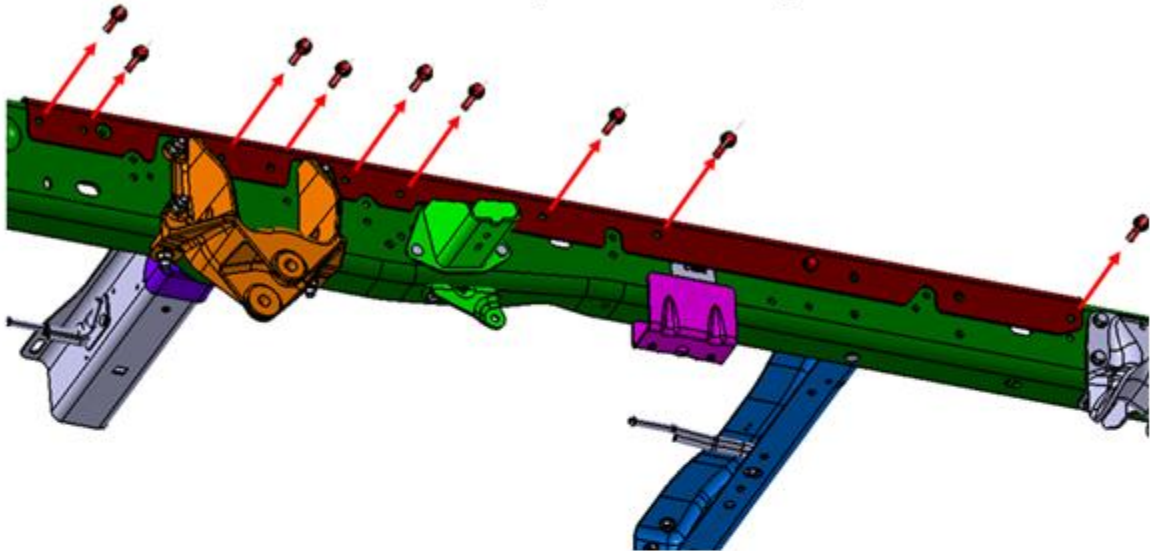


Chassis Cab Rollback Carrier Reinforcement Instructions

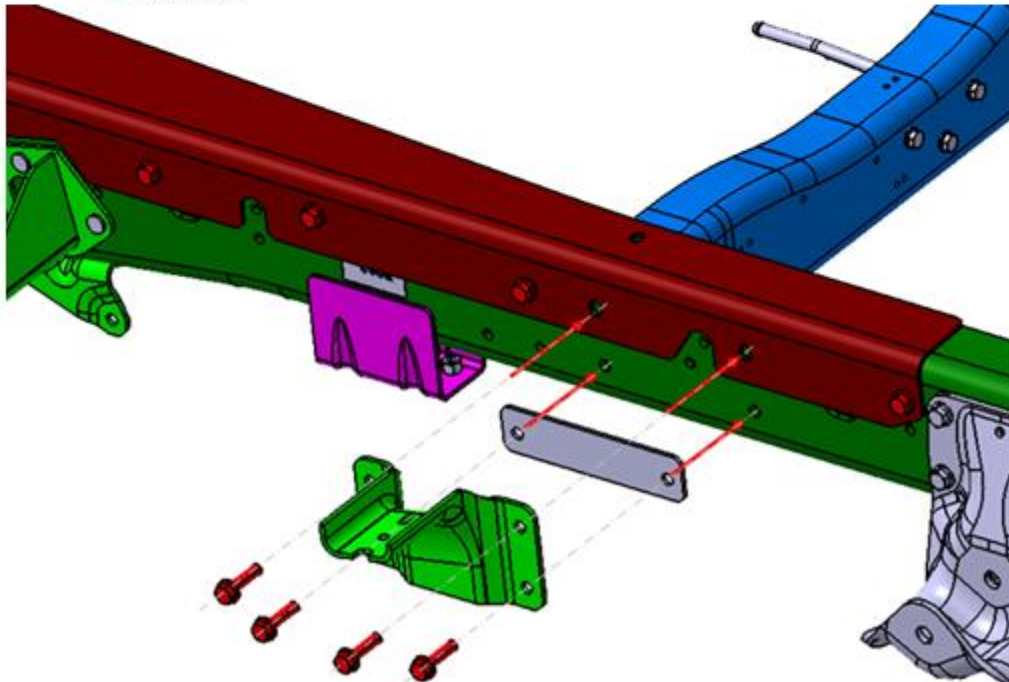
Rollback Carrier Rear Rail Reinforcements Installation

- **White circles :** To be made on the side rails

5. Install all the M12 bolts and tighten the bolts. Torque M12 bolts to 95 ft-lbs.

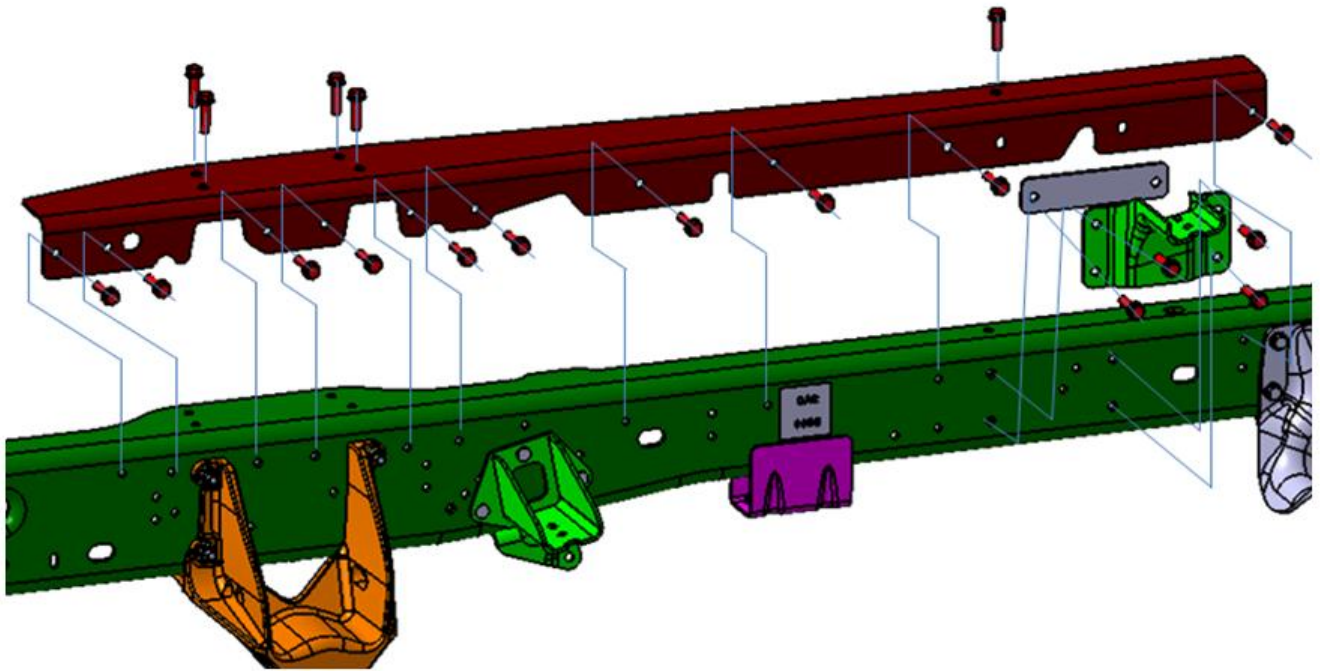


6. Re install rear auxiliary spring bracket on to the frame with 4 - M12 bolts. A spacer to be placed between the bracket and the frame rail. Torque M12 bolts to 95 ft-lbs.



Chassis Cab Rollback Carrier Reinforcement Instructions

Rollback Carrier Rear Rail Reinforcements Installation



P/N's	Part Name	Qty
68140985AA	KIT - COMPLETE ROLL BACK CARRIER REINF.	1
Reinforcements		
68140970AA	REINF - RR RAIL UPR RT ROLBACK CARRIER	1
68140971AA	REINF - RR RAIL UPR LT ROLBACK CARRIER	1
BAG ASSY- TOOL KIT		
68140982AA	BAG ASSY- TOOL KIT ROLL BACK CARRIER REINF.	1
Bag Content		
52014234AA	BAG - PLASTIC ROLL BACK CARRIER REINF.	1
68140972AA	SPACER - AUXILARY SPRING RR BRACKET	2
06104237AA	BOLT M12X45 MM REINF TO RR RAIL ATTACH	30
06104718AA	NUT M12 REINF TO RR RAIL ATTACH	30
68140992AA	INSTRUCTION CARD - INSTALLATION AID ROLL BACK CARRIER REINF.	1