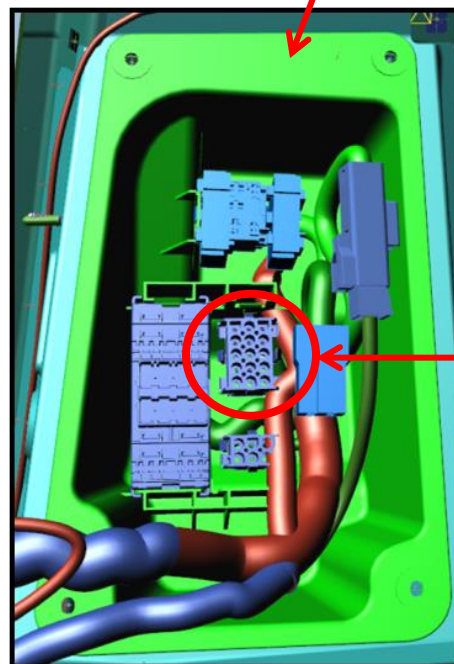


## UPFIT INTERFACE CONNECTOR

The up fit interface connector is available as a standalone option (Sales code BC3) and is package with the Aux Power Connector (BC1) or Rear Speaker Wiring Prep. (RED) This option **cannot be added** at the aftermarket or by the dealer. The connector is located behind a panel at the base of the passenger side B pillar. Remove the panel to expose the connectors.



Up Fit Interface Connector

## PROMASTER UPFIT INTERFACE CONNECTOR

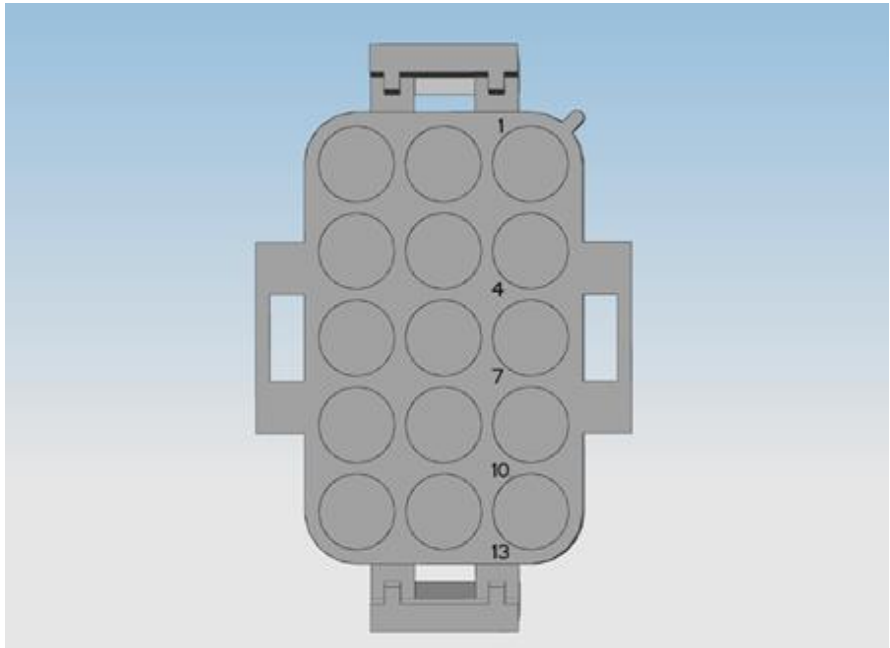
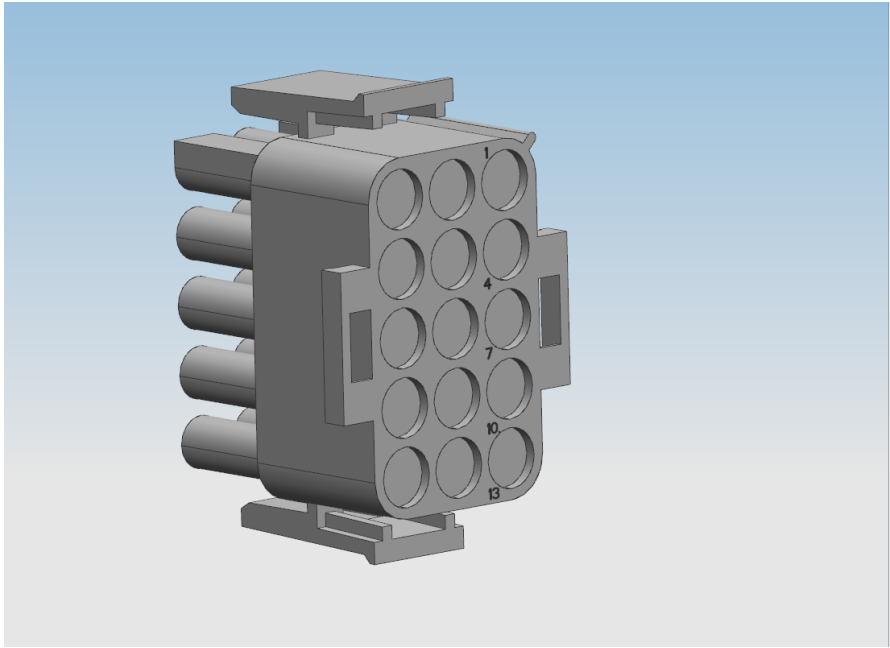
Connectors and Terminals Manufactured by **Tyco Electronics**

Vehicle Harness Connector: Tyco P/N **926647-1**  
 Mating Connector: Tyco P/N **1-480710-0** (up fitter provided)  
 Mating Connector Terminal: Tyco P/N **350218-1** (up fitter provided)

<b>PIN</b>	<b>Circuit Function</b>	<b>Min Wire Size (mm<sup>2</sup>)</b>	<b>Wire Color</b>	<b>Notes</b>
1	Not Connected			
2	Aux Run Relay Control (LSD)	0.35	BR/BK	300 mA Max current – pulled to ground with engine running
3	Vehicle Speed Output (VSO)	0.35	BR/LG	5 mA Max Current (0 to 5V Square Wave. 50% Duty Cycle. Variable Frequency. 0 V at 0MPH. Vspd (MPH) = F (HZ) *.6 (MPH/HZ) Round to nearest MPH)
4	Door Lock Control (Chassis Cab Only)	1.5	RD/BK	12 A Max Current 400ms Pulse
5	Door Unlock Control (Chassis Cab Only)	1.5	OR/LG	12 A Max Current 400ms Pulse
6	Rear door Ajar Signal (Chassis Cab Only)	0.35	BK/VT	Ground this circuit when any rear door is open (minimum contact cleaning current 10 mA)
7	Courtesy Lamp Feed	0.5	RD/LG	Power supply (+) for timed ceiling light 15' with key off (Pmax= 20 W at 12 V)
8	Cargo Lamp (Dimmer) (Chassis Cab Only)	0.75	WT/LG	Ceiling light control (-) Pmax=20 W at 12 V
9	No Connect			
10	No Connect			
11	Park Lamp Relay Control (LSD)	0.5	YL/RD	300 mA Max Current- Pulled to Ground with Park Lamp on
12	Aux 2 Switch Output (2016 and Newer)	2.5	YL/BK	Ignition fed, 20 A fuse, F87 in adjacent fuse block (Sales Code LHL)
13	Ignition Feed	0.5	BL/YL	600 mA Max Current 12V with Ignition on 5 A Fuse CBC FAO
14	Rear Heat Control (2015 and Newer)	0.35	BR/BK	Low Side Drive for Vehicles with Rear Heat and AC Prep (Sales Code HDG) 300 mA Max continuous.
15	Aux 1 Switch Output (2016 and Newer)	2.5	RD	Battery fed, 20 A fuse, F86 in adjacent fuse block (Sales Code LHL)

**PROMASTER UPFIT INTERFACE CONNECTOR**

The following views are of the wire insertion side of the up fitter provided mating connector.  
(Tyco P/N **1-480710-0**)



**PROMASTER UPFIT INTERFACE CONNECTOR**