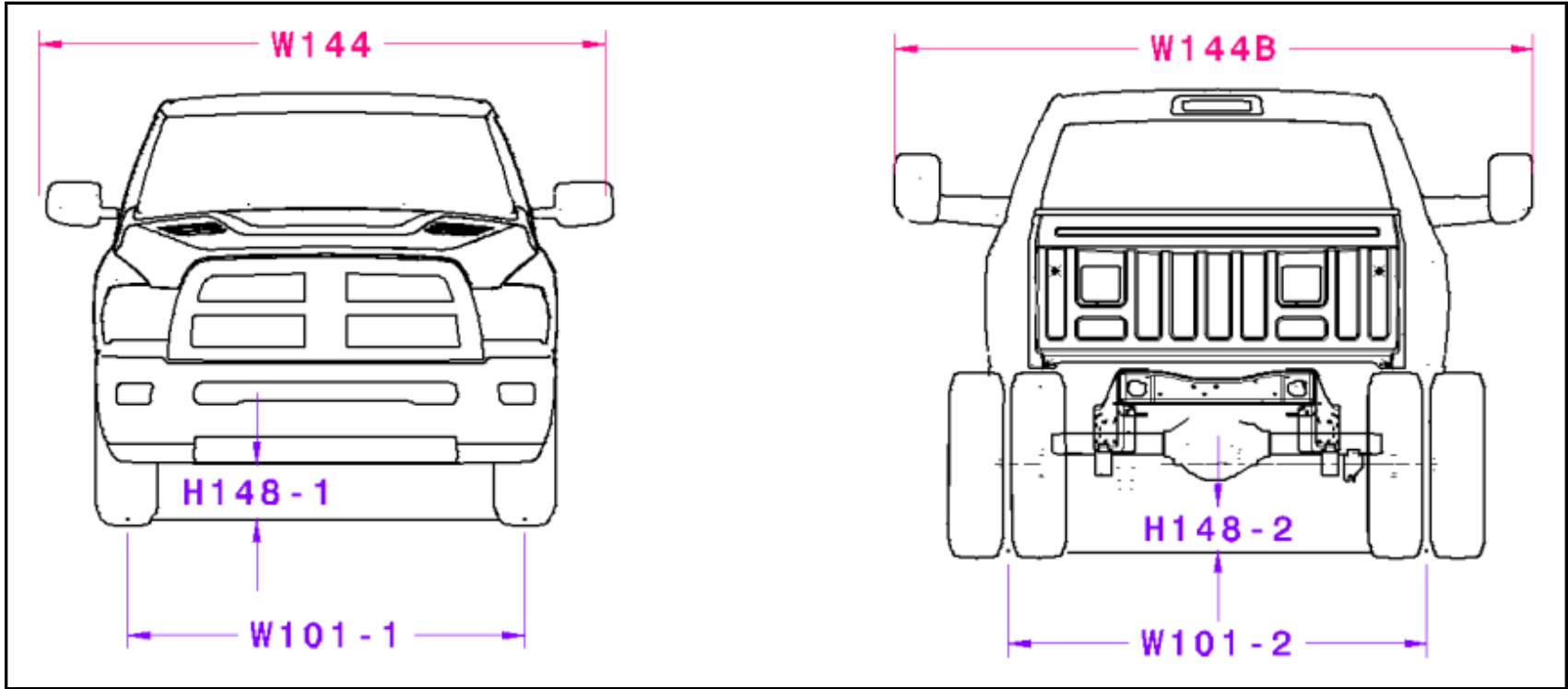
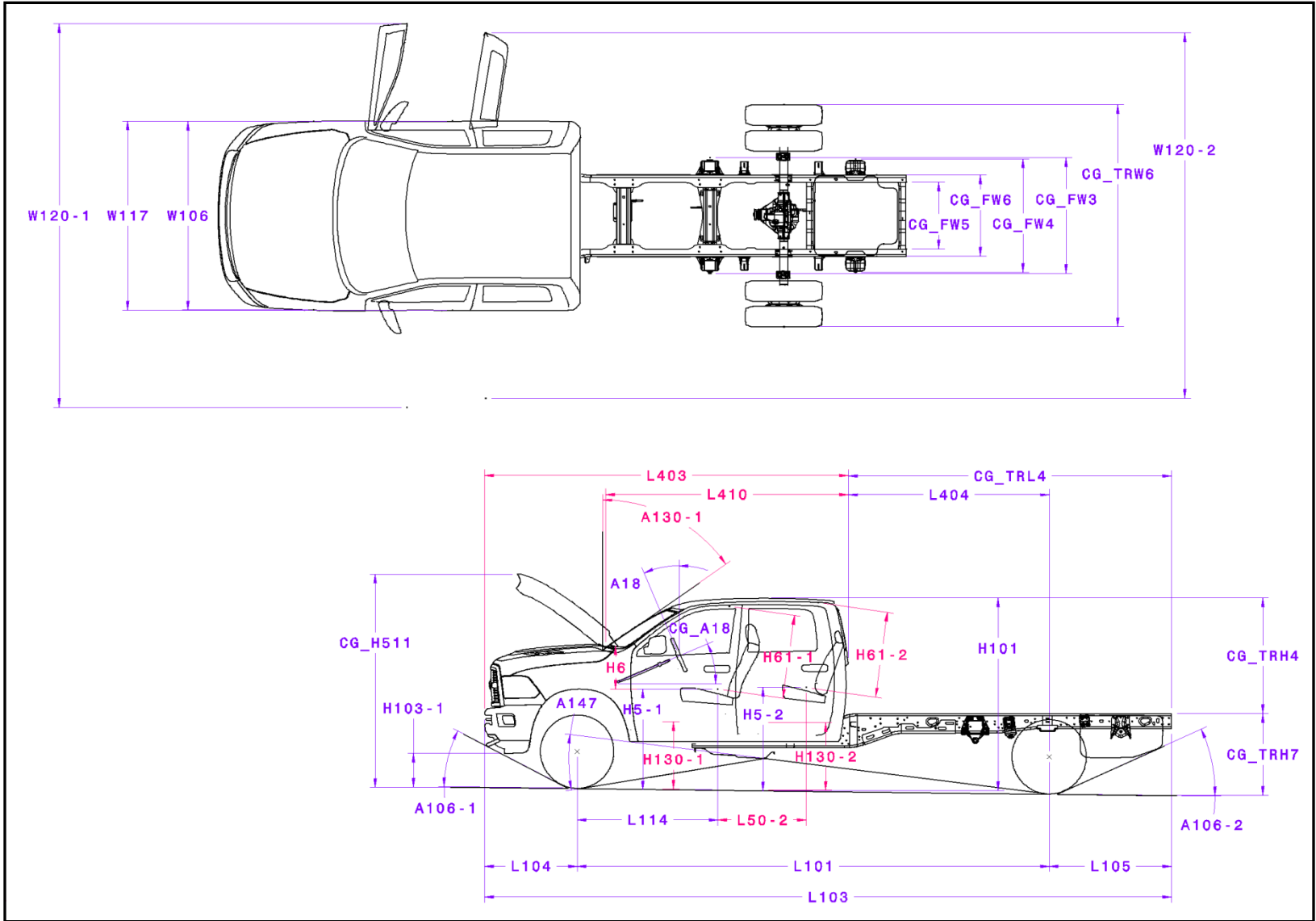


4500/5500 Chassis Cab Crew Cab 197.4"WB 84"CA DRW 4x2



4500/5500 Chassis Cab Crew Cab 197.4"WB 84"CA DRW 4x2



4500/5500 Chassis Cab Crew Cab 197.4"WB 84"CA DRW 4x2

Code	Description	LENGTH	
		Metric	English
CG_TRL4	Back of Cab to Taillamp	3432.0 mm	135.1 in
L103	Vehicle Length	7293.8 mm	287.2 in
L403	Front Bumper to Back of Cab (BBC)	3861.8 mm	152.0 in
L410	Cab Length	2574.3 mm	101.4 in

Code	Description	HEIGHT	
		Metric	English
A18	Steering Wheel Angle	22.9 deg	22.9 deg
A130-1	Glazing Angle - Windscreen	56.4 deg	56.4 deg
CG_A18	Steering Column Angle	22.9 deg	22.9 deg
CG_TRH4	Top of Frame to top of Cab	1227.8 mm	48.3 in
H6	SgRP - Front to Windshield Lower DLO	458.2 mm	18.0 in
H61-1	Effective Head Room - Front	1041.4 mm	41.0 in
H61-2	Effective Head Room - Second	1013.5 mm	39.9 in

Code	Description	WIDTH	
		Metric	English
CG_FW3	Rear Suspension Front Spring Bolt	1227.9 mm	48.3 in
CG_FW4	Rear Suspension Rear Spring Bolt	1204.3 mm	47.4 in
CG_FW5	Rear Frame - Inside Width	711.2 mm	28.0 in
CG_FW6	Rear Frame - Outside Width	863.6 mm	34.0 in
CG_TRW6	Outside of Rear Tires	2361.2 mm	93.0 in
W144	Vehicle Width-Mirrors Included (Std)	2464.4 mm	97.0 in
W144B	Vehicle Width-Mirrors Included (Trailer)	2776.1 mm	109.3 in
W106	Fender Width - Front	2003.6 mm	78.9 in
W117	Body Width At SgRP - Front	2008.7 mm	79.1 in
W120-1	Vehicle Width, Doors Open - Front	4076.6 mm	160.5 in
W120-2	Vehicle Width, Doors Open - Rear Row	3883.7 mm	152.9 in

4500/5500 Chassis Cab Crew Cab 197.4"WB 84"CA DRW 4x2

Code	Description	225/70R19.5 4X2	
		Metric	English
A106-1	Angle of Approach	25.2 deg	25.2 deg
A106-2	Angle of Departure	26.6 deg	26.6 deg
A147	Ramp Breakover Angle	15.8 deg	15.8 deg
CG_H511	Bottom of Open Hood to Ground	2248.7 mm	88.5 in
CG_TRH7	Top of Frame(at rear) to Ground	909.4 mm	35.8 in
CG_TT18	Turn Circle Diameter (feet/meters)*	17.0 m	55.7 ft
H5-1	SgRP to Ground - Front	1067.8 mm	42.0 in
H5-2	SgRP to Ground - Second	1105.7 mm	43.5 in
H101	Vehicle Height(curbLoad)	2047.7 mm	80.6 in
H103-1	Fascia(Bumper) to Ground - Front	336.9 mm	13.3 in
H108-1	Static Load Radius - Front Tire *	372.9 mm	14.7 in
H108-2	Static Load Radius - Rear Tire *	383.5 mm	15.1 in
H130-1	Step Height - Front	712.2 mm	28.0 in
H130-2	Step Height - Second	725.1 mm	28.5 in
H148-1	Suspension or Axel to Ground - Front	257.9 mm	10.2 in
H148-2	Suspension or Axel to Ground - Rear	202.4 mm	8.0 in
L101	Wheelbase	5006.5 mm	197.1 in
L104	Overhang - Front	985.1 mm	38.8 in
L105	Overhang - Rear	1302.2 mm	51.3 in
L114	Front Wheel Centerline toSgRP - Front	1491.8 mm	58.7 in
L404	Cab to Rear Axle (CA)	2130.5 mm	83.9 in
W101-1	Tread Width - Front Tires	1930.6 mm	76.0 in
W101-2	Tread Width - Rear Tires	1869.8 mm	73.6 in