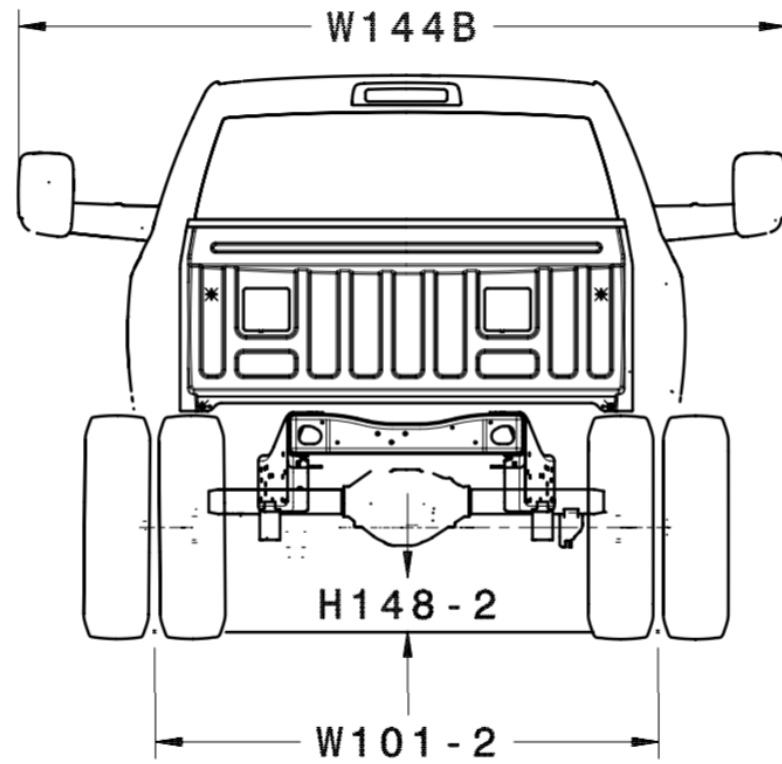
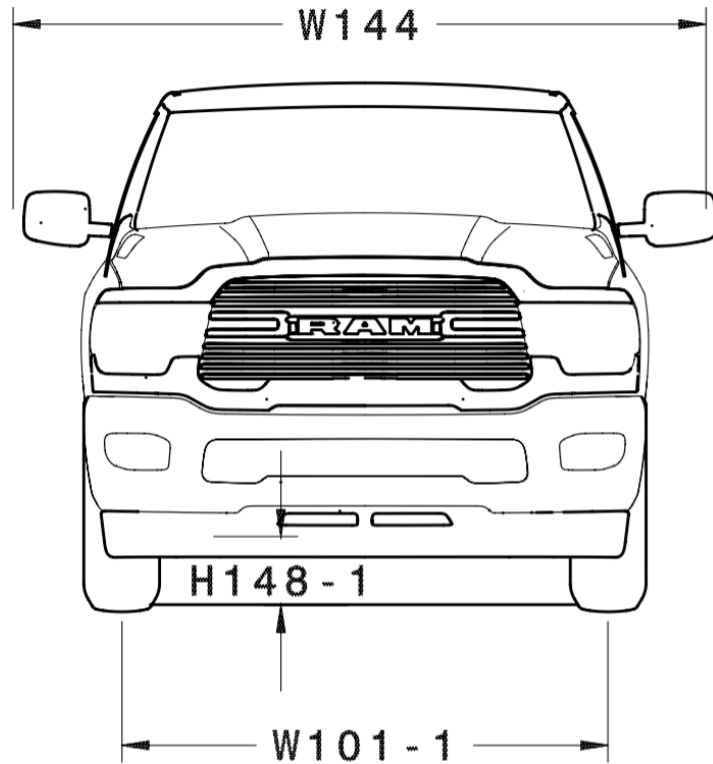


Views & Charts 2019 4500/5500
 Chassis Cab, Reg Cab, 120CA



Views & Charts 2019 4500/5500
Chassis Cab, Reg Cab, 120CA

Code	Description	225/70R19.5	
		Metric	English
A106-1	Angle of Approach	25.8 deg	25.8 deg
A106-2	Angle of Departure	27.6 deg	27.6 deg
A147	Ramp Breakover Angle	19.6 deg	19.6 deg
CG_H511	Bottom of Open Hood to Ground	2243.7 mm	88.3 in
CG_TRH7	Top of Frame(at rear) to Ground	930.0 mm	36.6 in
CG_TT18	Turn Circle Diameter (feet/meters)*	18.8 m	61.5 ft
H5-1	SgRP to Ground - Front	1085.2 mm	42.7 in
H101	Vehicle Height(curbLoad)	2068.0 mm	81.4 in
H103-1	Fascia(Bumper) to Ground - Front	308.0 mm	12.1 in
H108-1	Static Load Radius - Front Tire *	391.7 mm	15.4 in
H108-2	Static Load Radius - Rear Tire *	399.5 mm	15.7 in
H130-1	Step Height - Front	730.3 mm	28.8 in
H148-1	Suspension or Axle to Ground - Front	221.0 mm	8.7 in
H148-2	Suspension or Axle to Ground - Rear	206.0 mm	8.1 in
L101	Wheelbase	5191.0 mm	204.4 in
L104	Overhang - Front	1036.1 mm	40.8 in
L105	Overhang - Rear	1298.0 mm	51.1 in
L114	Front Wheel Centerline toSgRP - Front	1491.8 mm	58.7 in
L404	Cab to Rear Axle (CA)	3053.8 mm	120.2 in
W101-1	Tread Width - Front Tires	1958.0 mm	77.1 in
W101-2	Tread Width - Rear Tires	1869.8 mm	73.6 in

Views & Charts 2019 4500/5500
Chassis Cab, Reg Cab, 120CA

Code	Description	LENGTH	
		Metric	English
CG_TRL4	Back of Cab to Taillamp	4347.1 mm	171.1 in
L103	Vehicle Length	7525.0 mm	296.3 in
L403	Front Bumper to Back of Cab (BBC)	3153.0 mm	124.1 in
L410	Cab Length	1839.5 mm	72.4 in

Code	Description	HEIGHT	
		Metric	English
A18	Steering Wheel Angle	22.9 deg	22.9 deg
A130-1	Glazing Angle - Windscreen	56.4 deg	56.4 deg
CG_A18	Steering Column Angle	23.4 deg	23.4 deg
CG_TRH4	Top of Frame to top of Cab	1216.3 mm	47.9 in
H6	SgRP - Front to Windshield Lower DLO	458.2 mm	18.0 in
H61-1	Effective Head Room - Front	1011.0 mm	39.8 in

Code	Description	WIDTH	
		Metric	English
CG_FW3	Rear Suspension Front Spring Bolt	1223.4 mm	48.2 in
CG_FW4	Rear Suspension Rear Spring Bolt	1202.5 mm	47.3 in
CG_FW5	Rear Frame - Inside Width	711.2 mm	28.0 in
CG_FW6	Rear Frame - Outside Width	863.6 mm	34.0 in
CG_TRW6	Outside of Rear Tires	2368.2 mm	93.2 in
W144	Vehicle Width-Mirrors Included (Std)	2464.4 mm	97.0 in
W144B	Vehicle Width-Mirrors Included (Trailer)	2776.1 mm	109.3 in
W106	Fender Width - Front	2207.9 mm	86.9 in
W117	Body Width At SgRP - Front	2005.2 mm	78.9 in
W120-1	Vehicle Width, Doors Open - Front	4513.7 mm	177.7 in