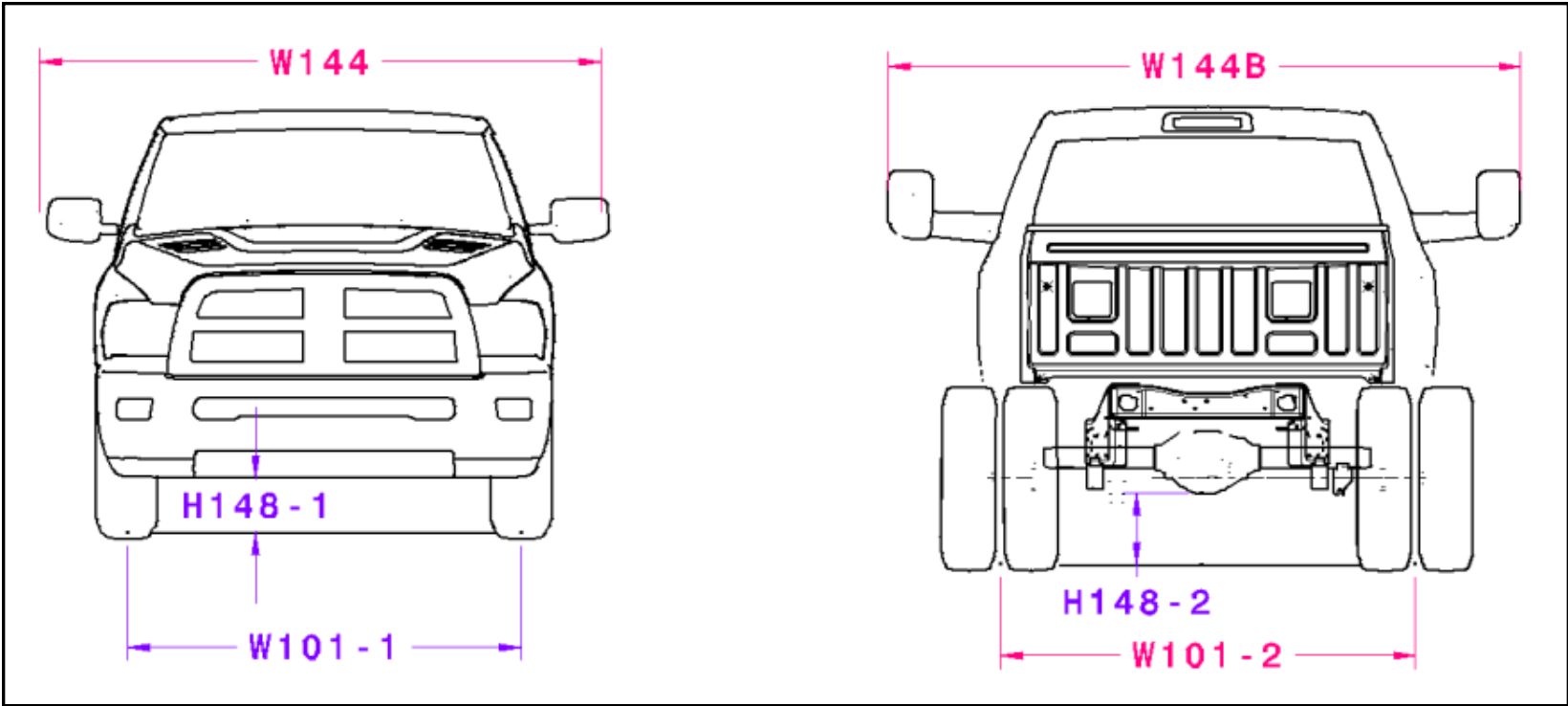
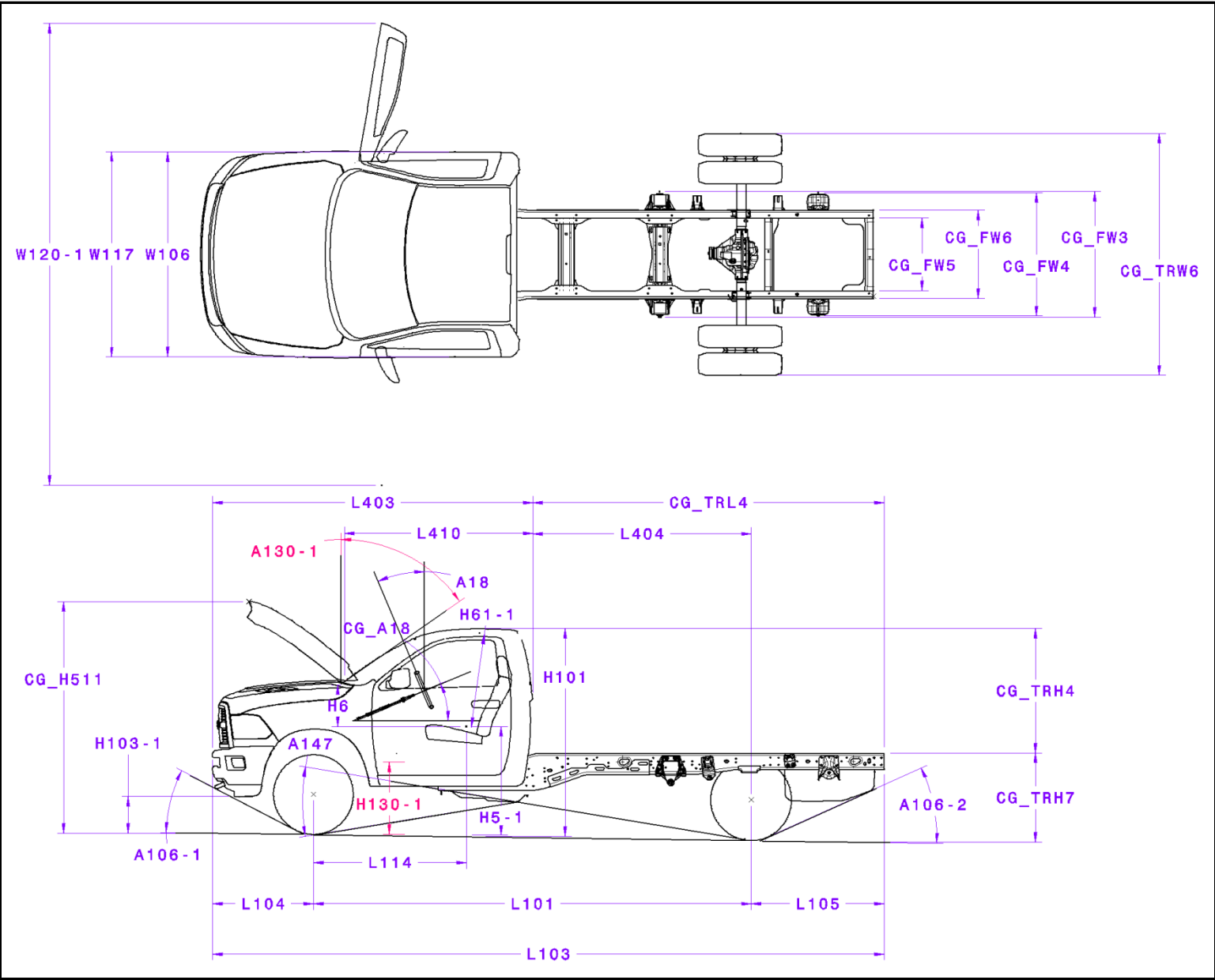


4500/5500 CHASSIS CAB REGULAR CAB 168.5"WB 84"CA DRW 4x4



# 4500/5500 CHASSIS CAB REGULAR CAB 168.5"WB 84"CA DRW 4x4



# 4500/5500 CHASSIS CAB REGULAR CAB 168.5"WB 84"CA DRW 4x4

Code	Description	LENGTH	
		Metric	English
CG_TRL4	Back of Cab to Taillamp	3432.7 mm	135.1 in
L103	Vehicle Length	6559.8 mm	258.3 in
L403	Front Bumper to Back of Cab (BBC)	3127.1 mm	123.1 in
L410	Cab Length	1839.5 mm	72.4 in

Code	Description	HEIGHT	
		Metric	English
A18	Steering Wheel Angle	22.9 deg	22.9 deg
A130-1	Glazing Angle - Windscreen	56.4 deg	56.4 deg
CG_A18	Steering Column Angle	22.9 deg	22.9 deg
CG_TRH4	Top of Frame to top of Cab	1217.0 mm	47.9 in
H6	SgRP - Front to Windshield Lower DLO	458.2 mm	18.0 in
H61-1	Effective Head Room - Front	1022.6 mm	40.3 in

Code	Description	WIDTH	
		Metric	English
CG_FW3	Rear Suspension Front Spring Bolt	1225.4 mm	48.2 in
CG_FW4	Rear Suspension Rear Spring Bolt	1203.2 mm	47.4 in
CG_FW5	Rear Frame - Inside Width	711.2 mm	28.0 in
CG_FW6	Rear Frame - Outside Width	863.6 mm	34.0 in
CG_TRW6	Outside of Rear Tires	2361.2 mm	93.0 in
W144	Vehicle Width-Mirrors Included (Std)	2464.4 mm	97.0 in
W144B	Vehicle Width-Mirrors Included (Trailer)	2776.1 mm	109.3 in
W106	Fender Width - Front	2003.6 mm	78.9 in
W117	Body Width At SgRP - Front	2005.2 mm	78.9 in
W120-1	Vehicle Width, Doors Open - Front	4513.7 mm	177.7 in

## 4500/5500 CHASSIS CAB REGULAR CAB 168.5"WB 84"CA DRW 4X4

Code	Description	225/70R19.5 4X4	
		Metric	English
A106-1	Angle of Approach	25.1 deg	25.1 deg
A106-2	Angle of Departure	27.0 deg	27.0 deg
A147	Ramp Breakover Angle	18.7 deg	18.7 deg
CG_H511	Bottom of Open Hood to Ground	2248.2 mm	88.5 in
CG_TRH7	Top of Frame(at rear) to Ground	915.8 mm	36.1 in
CG_TT18	Turn Circle Diameter (feet/meters)*	14.6 m	47.9 ft
H5-1	SgRP to Ground - Front	1075.0 mm	42.3 in
H101	Vehicle Height(curbedLoad)	2035.0 mm	80.1 in
H103-1	Fascia(Bumper) to Ground - Front	335.9 mm	13.2 in
H108-1	Static Load Radius - Front Tire *	376.4 mm	14.8 in
H108-2	Static Load Radius - Rear Tire *	385.6 mm	15.2 in
H130-1	Step Height - Front	718.2 mm	28.3 in
H148-1	Suspension or Axle to Ground - Front	207.5 mm	8.2 in
H148-2	Suspension or Axle to Ground - Rear	204.3 mm	8.0 in
L101	Wheelbase	4277.9 mm	168.4 in
L104	Overhang - Front	985.1 mm	38.8 in
L105	Overhang - Rear	1296.7 mm	51.1 in
L114	Front Wheel Centerline toSgRP - Front	1491.8 mm	58.7 in
L404	Cab to Rear Axle (CA)	2136.0 mm	84.1 in
W101-1	Tread Width - Front Tires	1930.6 mm	76.0 in
W101-2	Tread Width - Rear Tires	1869.8 mm	73.6 in