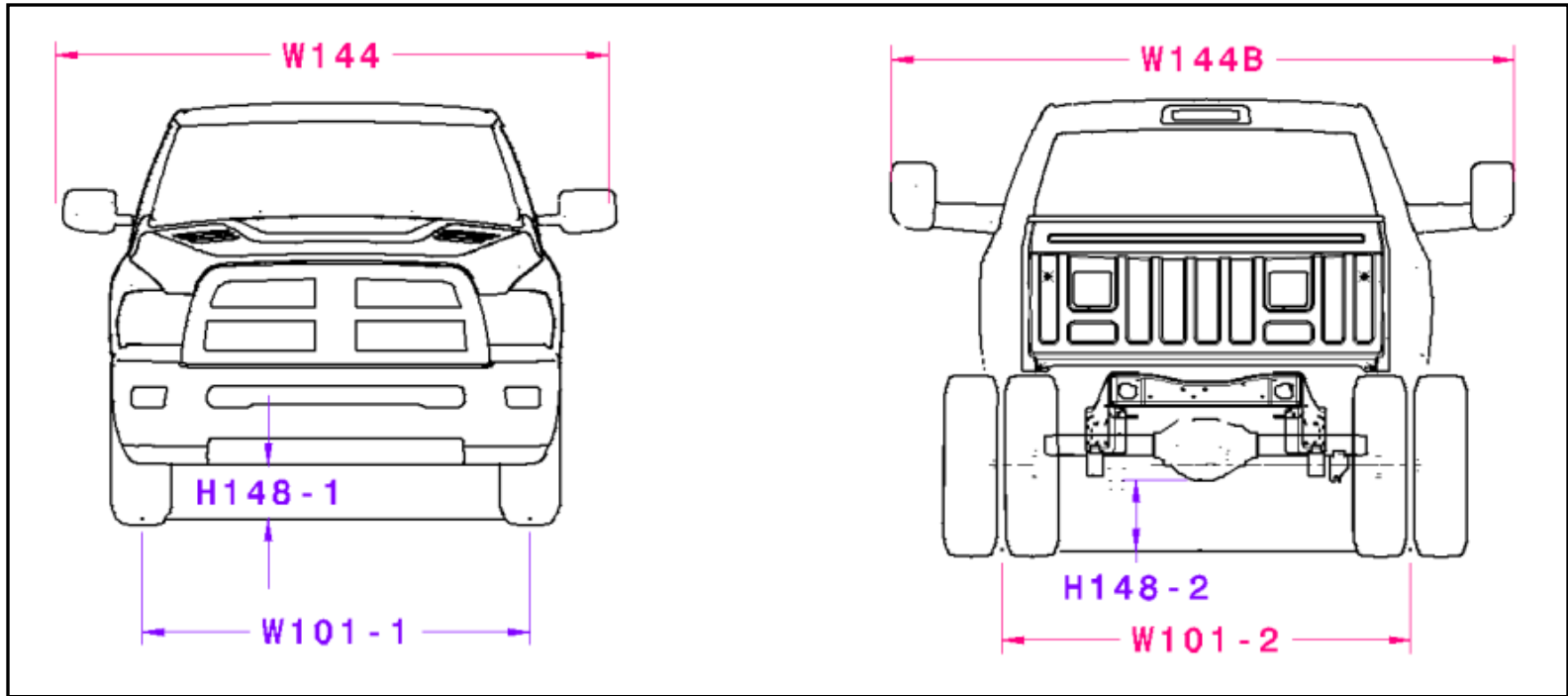
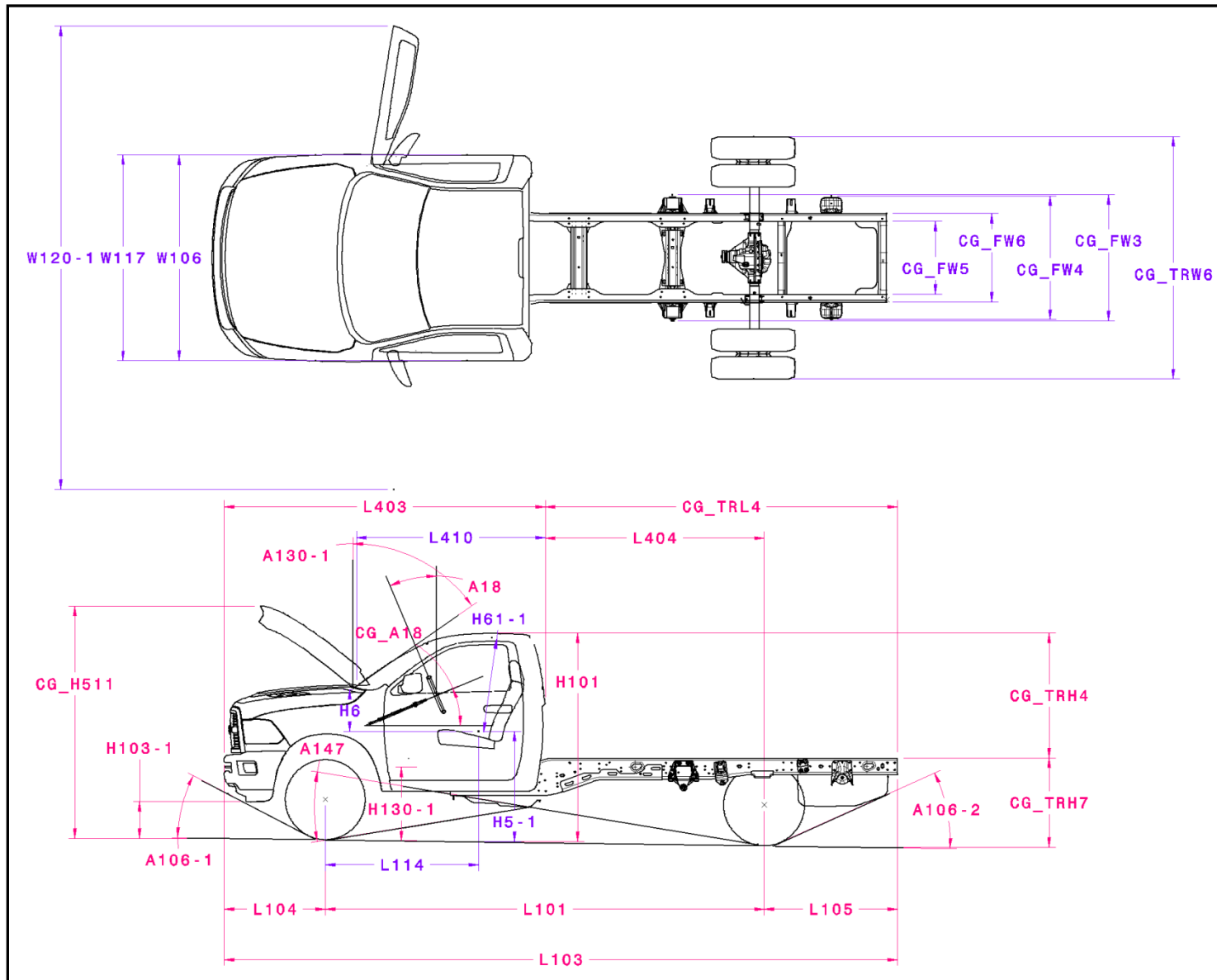


3500 CHASSIS CAB REGULAR CAB 167.5"WB 84"CA DRW 4x4



3500 CHASSIS CAB REGULAR CAB 167.5"WB 84"CA DRW 4x4



3500 CHASSIS CAB REGULAR CAB 167.5"WB 84"CA DRW 4x4

Code	Description	LENGTH	
		Metric	English
CG_TRL4	Back of Cab to Taillamp	3456.3 mm	136.1 in
L103	Vehicle Length	6559.8 mm	258.3 in
L403	Front Bumper to Back of Cab (BBC)	3127.0 mm	123.1 in
L410	Cab Length	1839.5 mm	72.4 in

Code	Description	HEIGHT	
		Metric	English
A18	Steering Wheel Angle	22.9 deg	22.9 deg
A130-1	Glazing Angle - Windscreen	56.4 deg	56.4 deg
CG_A18	Steering Column Angle	23.4 deg	23.4 deg
CG_TRH4	Top of Frame to top of Cab	1218.9 mm	48.0 in
H6	SgRP - Front to Windshield Lower DLO	458.2 mm	18.0 in
H61-1	Effective Head Room - Front	1013.5 mm	39.9 in

Code	Description	WIDTH	
		Metric	English
CG_FW3	Rear Suspension Front Spring Bolt	1196.2 mm	47.1 in
CG_FW4	Rear Suspension Rear Spring Bolt	1243.5 mm	49.0 in
CG_FW5	Rear Frame - Inside Width	711.2 mm	28.0 in
CG_FW6	Rear Frame - Outside Width	859.6 mm	33.8 in
CG_TRW6	Outside of Rear Tires	2338.0 mm	92.0 in
W144	Vehicle Width-Mirrors Included (Std)	2464.4 mm	97.0 in
W144B	Vehicle Width-Mirrors Included (Trailer)	2776.1 mm	109.3 in
W106	Fender Width - Front	2003.6 mm	78.9 in
W117	Body Width At SgRP - Front	2005.2 mm	78.9 in
W120-1	Vehicle Width, Doors Open - Front	4513.7 mm	177.7 in

3500 CHASSIS CAB REGULAR CAB 167.5"WB 84"CA DRW 4x4

Code	Description	235/80R17	
		Metric	English
A106-1	Angle of Approach	23.8 deg	23.8 deg
A106-2	Angle of Departure	24.4 deg	24.4 deg
A147	Ramp Breakover Angle	17.7 deg	17.7 deg
CG_H511	Bottom of Open Hood to Ground	2224.0 mm	87.6 in
CG_TRH7	Top of Frame(at rear) to Ground	856.8 mm	33.7 in
CG_TT18	Turn Circle Diameter (feet/meters)*	16.0 m	52.6 ft
H5-1	SgRP to Ground - Front	1039.6 mm	40.9 in
H101	Vehicle Height(curbsLoad)	1998.9 mm	78.7 in
H103-1	Fascia(Bumper) to Ground - Front	312.5 mm	12.3 in
H108-1	Static Load Radius - Front Tire *	381.9 mm	15.0 in
H108-2	Static Load Radius - Rear Tire *	394.9 mm	15.5 in
H130-1	Step Height - Front	684.6 mm	27.0 in
H148-1	Suspension or Axel to Ground - Front	223.2 mm	8.8 in
H148-2	Suspension or Axel to Ground - Rear	206.1 mm	8.1 in
L101	Wheelbase	4255.6 mm	167.5 in
L104	Overhang - Front	1005.3 mm	39.6 in
L105	Overhang - Rear	1298.8 mm	51.1 in
L114	Front Wheel Centerline toSgRP - Front	1471.6 mm	57.9 in
L404	Cab to Rear Axle (CA)	2133.9 mm	84.0 in
W101-1	Tread Width - Front Tires	1768.0 mm	69.6 in
W101-2	Tread Width - Rear Tires	1825.0 mm	71.9 in