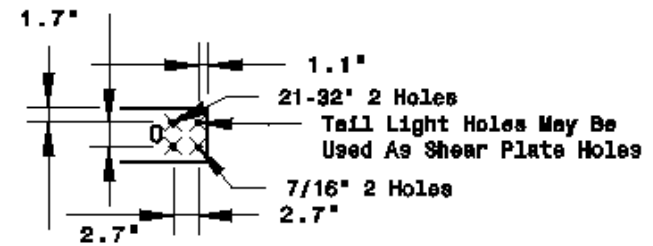
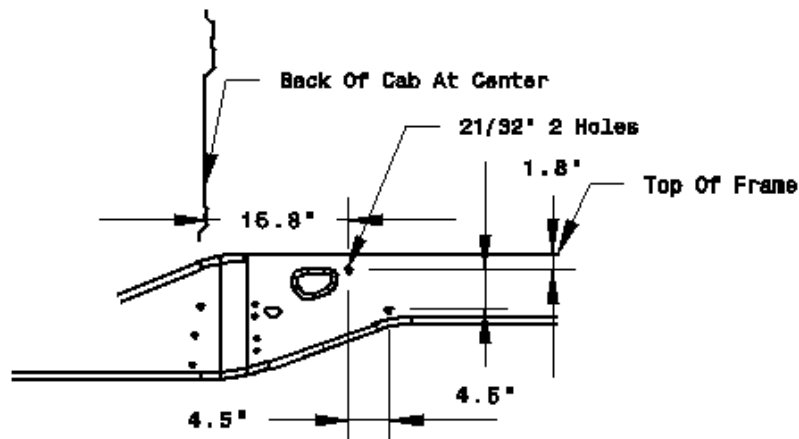


4500/5500 192.5 6.7L Frame & Exhaust



NOTE: Because of the curvature of the back of the Ram cab a minimum clearance maintained at the closest point in the center of the cab back will increase by .28 inches when measured above the frame rails. For example, if you have 3 inches clearance between the cab and applied body at the center you will have 3.28 inches when measured at the frame rails. This is normal acceptable condition

4500/5500 192.5 6.7L Frame & Exhaust

Code	Description	Metric	English
CG_FH1	Front Frame-Height	215.6 mm	8.5 in
CG_FH5	Rear Frame-Height	159.3 mm	6.3 in
CG_FL1	Front of Frame to Fiducial Mark No.1	1125.0 mm	44.3 in
CG_FL8	Distance Between Spare Tire Cross Members	909.8 mm	35.8 in
CG_FW1	Front Frame - Outside Width	1000.0 mm	39.4 in
CG_FW2	Front Frame - Inside Width	880.0 mm	34.6 in
CG_FW3	Rear Suspension Front Spring Bolt	1223.8 mm	48.2 in
CG_FW4	Rear Suspension Rear Spring Bolt	1269.3 mm	50.0 in
CG_FW5	Rear Frame - Inside Width	711.2 mm	28.0 in
CG_FW6	Rear Frame - Outside Width	863.6 mm	34.0 in
L54	Fiducial Mark No.1 - X Coordinate	1708.7 mm	67.3 in
L404	Cab to Rear Axle (CA)	2743.5 mm	108.0 in

Code	Description	Metric	English
CG_EH1	SCR Height	269.9 mm	10.6 in
CG_EH2	Datum Line to Bottom of Tailpipe	480.8 mm	18.9 in
CG_EL1	SCR Length	827.7 mm	32.6 in
CG_EW1	SCR Exhaust Intake to Inside of Frame	73.4 mm	2.9 in
CG_EW2	SCR to Inside of Frame	46.5 mm	1.8 in
CG_EW3	SCR Width	268.3 mm	10.6 in
CG_EW4	SCR RR Exhaust Pipe to Frame	21.2 mm	0.8 in
CG_EW5	End of Exhaust Pipe to Outside of Frame	1299.8 mm	51.2 in

4500/5500 192.5 6.7L Frame & Exhaust