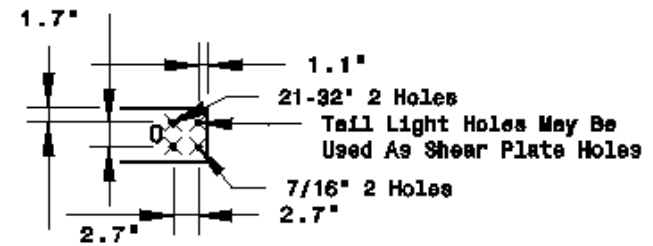
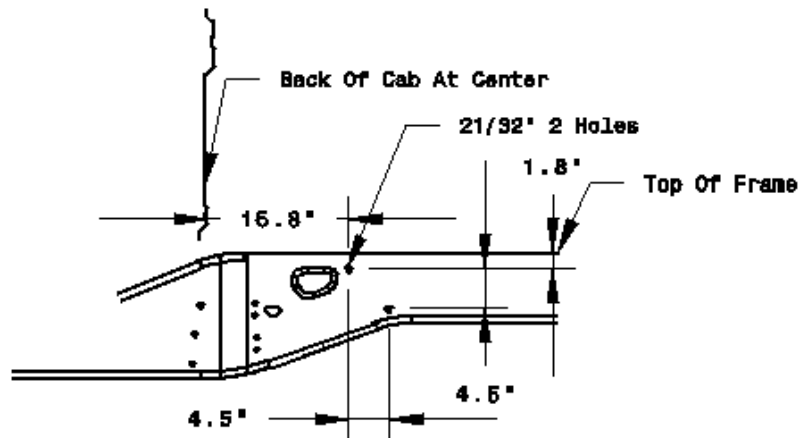


4500/5500 192.5 6.4L Frame & Exhaust



NOTE: Because of the curvature of the back of the Ram cab a minimum clearance maintained at the closest point in the center of the cab back will increase by .28 inches when measured above the frame rails. For example, if you have 3 inches clearance between the cab and applied body at the center you will have 3.28 inches when measured at the frame rails. This is normal acceptable condition

Code	Description	Metric	English
CG_FH1	Front Frame-Height	215.6 mm	8.5 in
CG_FH5	Rear Frame-Height	159.3 mm	6.3 in
CG_FL1	Front of Frame to Fiducial Mark No.1	1125.0 mm	44.3 in
CG_FL8	Distance Between Spare Tire Cross Members	909.8 mm	35.8 in
CG_FW1	Front Frame - Outside Width	1000.0 mm	39.4 in
CG_FW2	Front Frame - Inside Width	880.0 mm	34.6 in
CG_FW3	Rear Suspension Front Spring Bolt	1223.8 mm	48.2 in
CG_FW4	Rear Suspension Rear Spring Bolt	1269.3 mm	50.0 in
CG_FW5	Rear Frame - Inside Width	711.2 mm	28.0 in
CG_FW6	Rear Frame - Outside Width	863.6 mm	34.0 in
L54	Fiducial Mark No.1 - X Coordinate	1708.7 mm	67.3 in
L404	Cab to Rear Axle (CA)	2743.5 mm	108.0 in

Code	Description	Metric	English
CG_EH1	Muffler Height	314.9 mm	12.4 in
CG_EH2	Datum Line to Bottom of Tailpipe	459.2 mm	18.1 in
CG_EL1	Muffler Length	801.0 mm	31.5 in
CG_EW1	Muffler Exhaust Intake to Inside of Frame	22.4 mm	0.9 in
CG_EW2	Muffler to Inside of Frame	27.7 mm	1.1 in
CG_EW3	Muffler Width	194.9 mm	7.7 in
CG_EW4	Muffler RR Exhaust Pipe to Frame	19.9 mm	0.8 in
CG_EW5	End of Exhaust Pipe to Outside of Frame	1301.8 mm	51.3 in

4500/5500 192.5 6.4L Frame & Exhaust